



see what Delta can do™

ANGLE VALVE

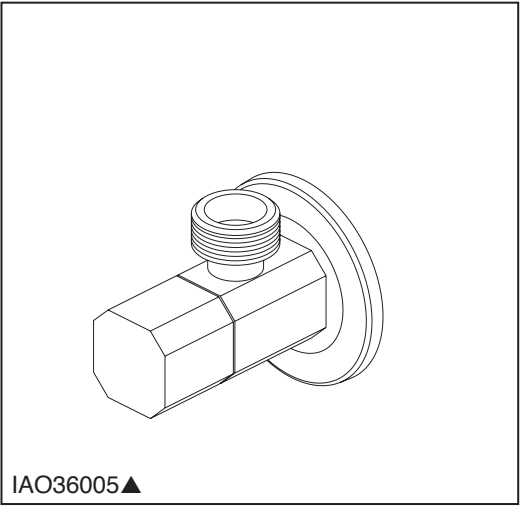
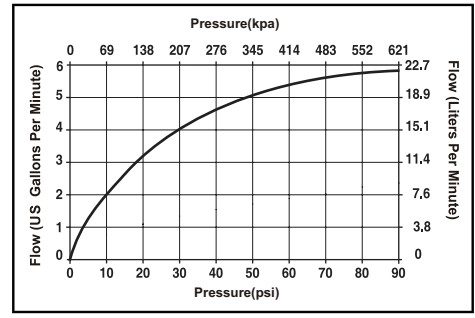
STANDARD SPECIFICATIONS:

- Quarter Turn Angle Stop Valve
- Brass Forged body
- Flange / Escutcheon included
- Ceramic disc cartridge
- Tested for 10,000 life cycles
- 100% Faucet Tested
- G1/2 - ISO228/1-2000 male thread connection

AVAILABLE FINISHES:

- Polished Chrome
- PN : Polished Nickel
- BL : Matte Black
- CZ : Champagne Bronze

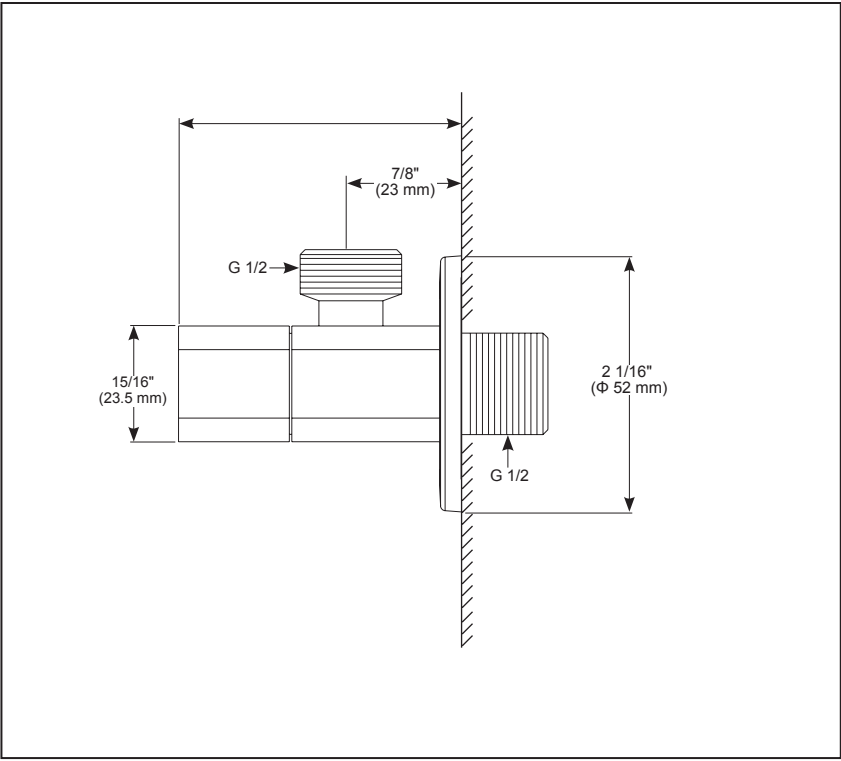
FLOW CURVE:



IAO36005▲

Submitted Model No.: _____

Specific Features: _____



▲ Designate proper finish suffix